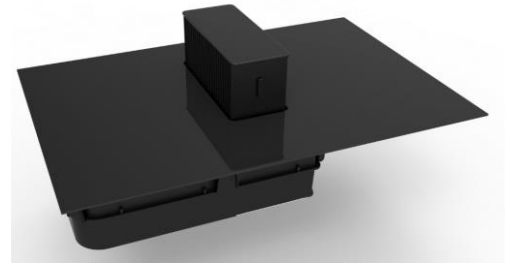




**Worktop induction hob/cooker-hood**  
**4-zones 78 cm**  
**Black**

EAN 5414425018116



### Dimensions (mm)

Dimensions (WxDxH) (mm)	780 x 520 x 180
Cut-out worktop (WxD)(mm)	750 x 490
Dimensions cut-out with inset (WxDxH) (mm)	784 x 524 x 6

### Cooker hood

#### Energy label

Energy efficiency class (EEIhood)	B
Annual energy consumption (kWh/y) (AEChood)	52,5
Fluid Dynamic Efficiency class (FDEhood)	B
Lighting Efficiency class (LEhood)	-
Grease Filtering Efficiency class (GFEhood)	C

#### General information

Integrated motor	•
Sound absorber	•
Number of metal grease filters	2
Recirculation (default setting)/ Duct out	• / •
Dimensions exhaust (mm)	89 x 222
Position exhaust	Back left / Under left

#### Functions

Control	Touch control
Number of speeds	Continues
Delayed switch off (minutes)	10-30 (default)
Grease filter cleaning indication	•
Recirculation filter cleaning indication	•
Valve for aspiration direction	•
Aspiration heights (cm)	7, 11
Watertank(s) for cleaning	3-levels

#### Air flow & noise level

Air flow duct out (m3/u) (EN 61591):	
- Minimum	217
- Maximum	570
Air pressure (Pa):	
- Maximum	563
Sound power/pressure duct out setting (dB(A) re 1 pW)(EN 60704-2-13):	
- Minimum	50/40
- Maximum continues	70/60

# Induction hob

## General characteristics

---

Black opaque glass	•
Bevelled glass edge	•
Surface and flushline mounting	• / •

## Cooking zones

---

Number of octagonal zones	4
Cooking zones (mm)	240 x 200
Power per zone (min. - max. / super power) (W)	111 - 2100/3700

## Cooking functions

---

Control	WHITE slider control
Power levels	9 + Power + Super Power
Timer per zone	•
Minute minder	•
Stop&Go	•
Keep warm function	• (42, 70 and 94 °C)
Automatic bridge function	• (2x)
Residual heat indication	•
Automatic cooking	•
Child lock function	•
Automatic pan recognition	•
Grill function	•

## Technical specifications

---

Maximum power	7.560 W
Voltage	230 V / 400 V + N
Power consumption in stand-by Ps (W)	<0,5 W
Weight (kg)	21,0

## Accessories

### Accessories

---

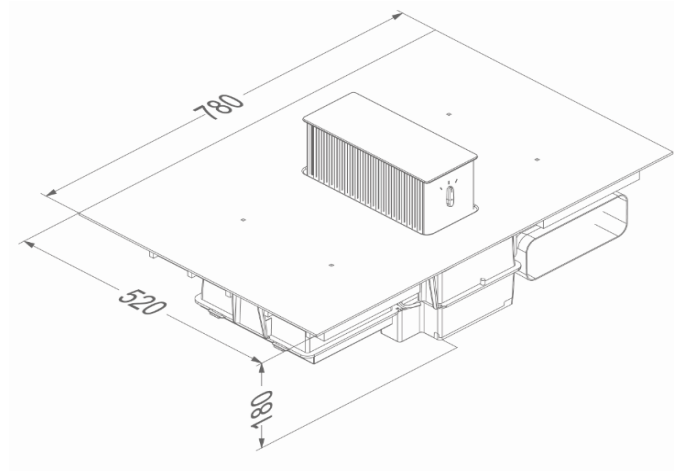
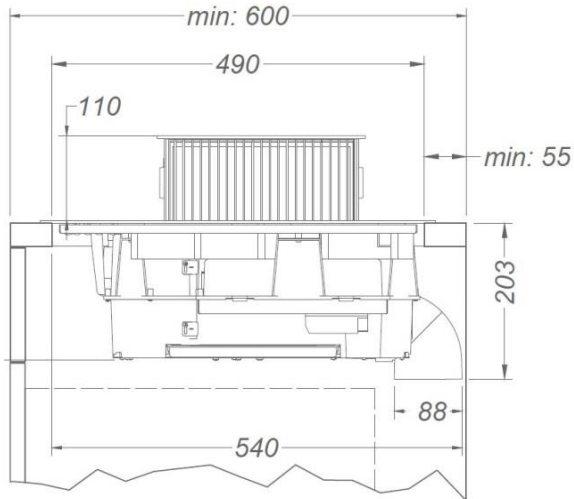
#### Recirculation kit

- Recirculation box H 98 with Monoblock filter WHITE (98x818x290mm) + duct	1811821
- Recirculation box H 98 with Monoblock filter BLACK (98x818x290mm) + duct	1811822
- Recirculation box H 98 with Monoblock filter STAINLESS STEEL LOOK (98x818x290mm) + duct	1811823

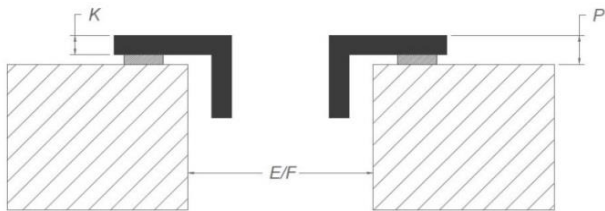
#### Recirculation box

- Recirculation box H 98 with Monoblock filter WHITE (98x818x290mm)	7921400
- Recirculation box H 98 with Monoblock filter BLACK (98x818x290mm)	7922400
- Recirculation box H 98 with Monoblock filter STAINLESS STEEL LOOK (98x818x290mm)	7923400
- Recirculation box H 140 with Monoblock filter WHITE (140x820x292mm)	7931400
- Recirculation box H 140 with Monoblock filter BLACK (140x820x292mm)	7932400
- Recirculation box H 140 with Monoblock filter STAINLESS STEEL LOOK (140x820x292mm)	7933400

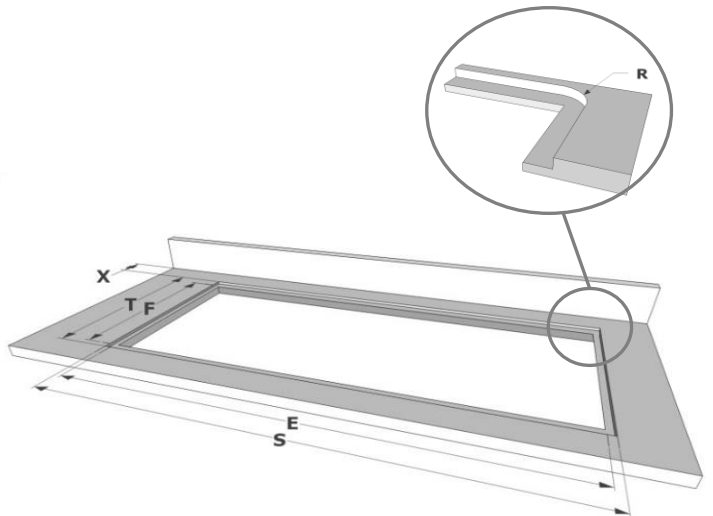
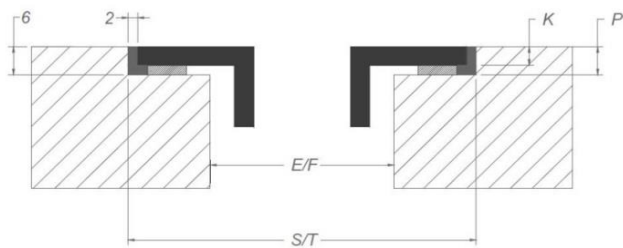
## Dimensions



## Surface mounting



## Flushline mounting



## Dimensions

mm

	E	F	K	P	R	S	T	X
Surface mounting	750	490	4	6				55
Flushline mounting	750	490	4	6	7	784	524	55

